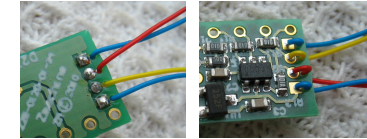
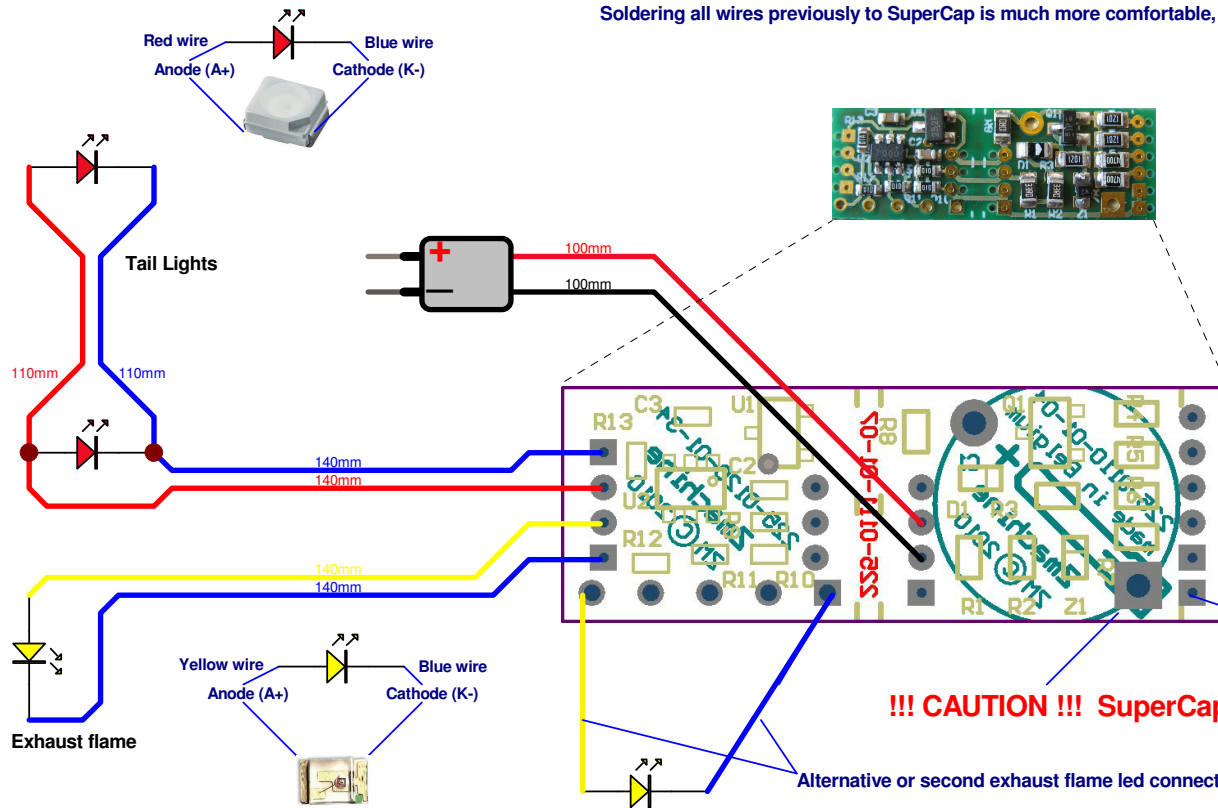


1

2

3

4



Please use non plated through holes to secure wiring

All square pads may be used as negative common (0 volt)

!!! CAUTION !!! SuperCap is polarized !!!

Alternative or second exhaust flame led connections

Model #152_SG

Features :

- * Reverse voltage & overcurrent protection
- * High intensity brake lights.
- * Exhaust flame simulation.

Main characteristics :

Dimensions (L x l x h) : 29 x 10 x 6 mm max (w. supercap)
 Weight : +/- 2.5 gr (w. power conn & supercap)
 Power supply : min 8Vdc/ac - Max 25Vdc/ac (Davic compatible)
 Power consumption : Max 75mA peak - 5mA continuous (@12.8Vdc)

Model #152_SG RTA kit - P/N E225-0152-02-34

Parts list :

- 1 ea. Full PCB assy. ref# E225-0132-02-71
- 1 ea. Supercap 0.22F/5V5 ref# E225-0140-01-94
- 1 ea. Power male conn. ref# E225-0141-02-01
- 1 ea. Female Power conn. ref# E225-0141-03-02
- 1 ea. Prewired dual // rear super red PLCC led ref# E225-0143-04-09
- 2 ea. Prewired exhaust yellow 0603 Led ref# E225-144-01-09

#152_SG

rev. 22/11/2010



<http://www.zmachine.be> - phl@zmachine.be - Zmachine Electric Motorsport

1

2

3

4